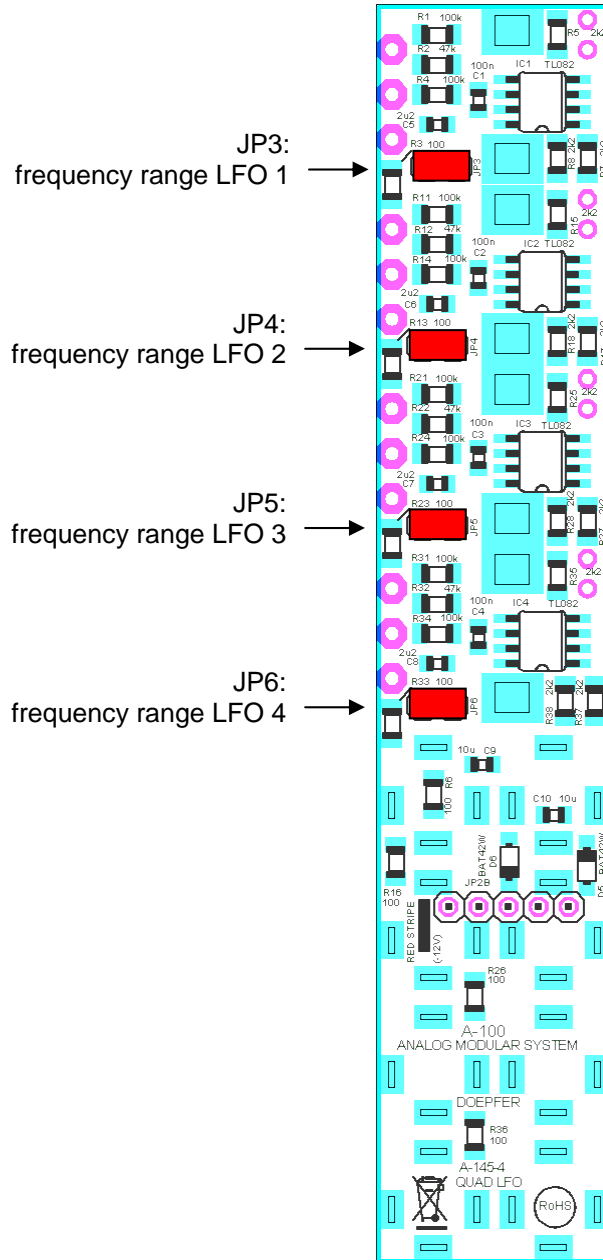


DOEPFER MUSIKELEKTRONIK GMBH

ANALOG MODULAR SYSTEM A-100

A-145-4 Quad LFO

Position and function of the jumpers



- Jumper installed: frequency range ~ 2 Hz ... 0.004Hz (4 min)
- Jumper removed: frequency range ~ 50 Hz ... 0.1Hz (10 sec)